

A cordless stick vacuum cleaner with a white body and blue accents is standing upright in a living room. The room features a white wall, a light-colored wooden floor, a small wooden side table with a potted plant, and a white sofa with patterned pillows. The vacuum cleaner has a long, thin tube and a motorized head at the bottom.

More than convenient

Stylish design  
and easy storing

### **Mamibot V6**

Cordless Multifunctional  
Stick Vacuum Cleaner

**User Manual**

Please read this manual carefully before use. Please keep this manual for future use!

## Important Safety Instructions and Warnings

### Read all documents before using

The appliance is not to be used by children. Persons with reduced physical, sensory or mental capabilities, or lack of experience and knowledge may only use this appliance if they are supervised or have been given instruction about how to use it safely and understand what risks are involved. Children should be supervised to ensure they do not play with the device.

### Storage

Please take it gently and carefully to avoid breaking the device;  
Please don't use it close to fire source or in any location of high temperature;  
Don't use or keep the cleaner in extreme climate conditions, e.g. cooling rooms, high temperature environment, suggested temperature of using and storage is 0-35°C of indoor areas;  
Please charge your cleaner at least every three months if you are not using it regularly;

### Before Use

Check the adapter cable and confirm it is in good condition;  
Fully charge the cleaner before using if it's not used for long time;  
Please make sure the hepa filter and stainless filter are installed properly;

### In use

Don't use the cleaner in or near flammable or explosive conditions;  
Don't use your cleaner to suck glass particles, needle, dirty water, ashes, or any other liquid;  
Don't use your cleaner to suck cement, land plaster, wall plaster or toys, which may cause defects to the device;  
Don't block your suction inlet or tube, clear the suction inlet and tube in time to retain good performance of cleaning and avoid motor defects;  
If the cleaner can't start working even when the battery is full, please go to service agent or Mamibot distributors for inspection, don't disassemble it on your own;  
Don't use the cleaner if dust bin is not in position;  
In maintenance  
Dry cloth is suggested to clean the cleaner, no gas/alcohol or other chemical solution is allowed to clean the device;  
Turn off the cleaner first before proceeding with any cleaning task or maintenance;  
Please clean the dust box, suction inlet and tube in time to avoid air channel being blocked, air channel blockage would reduce suction power and cause motor heating;  
Hepa filter is suggested to be replaced in three month, or even in shorter period if the device is used too often.

### Application of Power Adatper and Batterys

Use only the power adapter supplied with this device. Use of other type of power adapter will result in malfunction and/or danger.

Please use the proper electric outlet and make sure no heavy objects are placed on the power

adapter or power cord.

Allow adequate ventilation around the adapter when using it to operate the device. Do not cover the power adapter with objects that will reduce cooling.

Do not use the adapter in a high moisture environment. Never handle the adapter with wet hands. Connect the adapter to a proper power source. The voltage requirements are found on the adapter.

Do not use broken adapter, power cord or plug. The plug must be removed from the receptacle before cleaning or maintaining the Appliance. Do not unplug the Power Adapter by pulling on the power cord.

Do not attempt to service the adapter. There are no service parts inside. Replace the whole unit if it is damaged or exposed to high moisture. Consult your Mamibbot dealer for help and maintenance.

The battery used in this device may present a risk of fire or chemical burn if mistreated. Do not disassemble, short contact, heat above 60°C (140°F), or incinerate.

If you have to dispose of this old equipment, please take it to the local recycling center for recycling electrical and electronic parts.

Retain the safety and operating instructions for future reference.

Do not expose your device to rain or excess humidity, and keep it away from liquids (such as beverages, faucets, and so on).

Avoid exposing your device to direct sunlight or intense light source, and keep it away from heat source (such as radiators, space heaters, stoves, and so on).

On waxed floors the movement of the cleaner head may create an uneven lustre. If this happens, wipe with a damp cloth, polish the area with wax, and wait for it to dry.

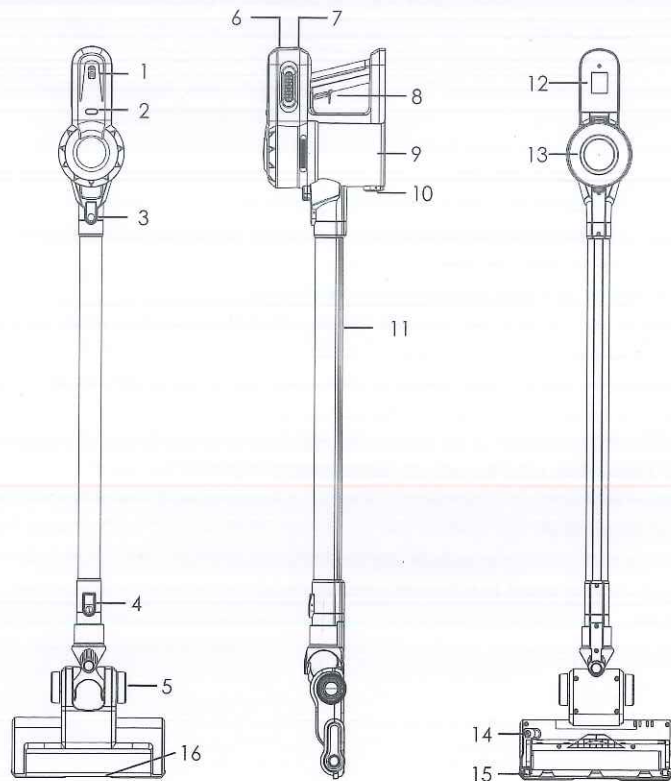
The Appliance must be disconnected from the receptacle before removing the battery for disposal of the Appliance.

The Appliance must be used in accordance with the directions in this Instruction Manual.

Product manufacturer cannot be held liable or responsible for any damages or injuries caused by improper use.

# 1. Product Description

## 1.1 The main frame of the product



Product diagram:

1	Battery Indicator	3	Tube upper button	9	Dust box	13	Dust box hook
2	Release Button of battery pack and dust box	4	Tube lower button	10	Dust box release button	14	Release button of B-Beater Brush
5	Big assist wheel	6	Charging port	11	Aluminum tube	15	Small assist wheel
7	Release Button of battery pack and handle	8	Switch/Power shift button	12	Mounting groove	16	LED Light

## 1.2 Introduction of Brush Sets

**B-BEATER Brush Set:** motorized brush set to clean hard floors like marble, wooden floors, laminated floors, carpets with long/short rugs, etc.

**B-CAR Brush Set:** it is suitable for cleaning places with small gaps or similar, like gaps between windows/doors, vehicle seats, storage cases, etc.

**B-CREVICE Brush Set:** it has a shrinkable bristle brush to vacuum hard-to-reach areas like windowsill, sofa gaps, inside closet, book shelves, inside computer cases, etc.

**B-MATTRESS Brush Set:** it is good to clean sofa, beds, or curtains that are of textile fabrics and dust mite, etc.

## 1.3 Vacuuming Power Modes

**Standard Power Mode:**

Press Switch for once to turn on the Mamibot V6 and enter Standard Power Mode, with vacuuming power of around 5KPA that can be used for around 45 minutes if with motorized brush sets and around 55 minutes if with non-motorized brush sets;

**SUPER Power Mode:**

When your Mamibot V6 is on, press the Switch again to enter Super Power Mode that provides around 10KPA vacuuming power for around 25 minutes working time with motorized brush sets and around 35 minutes vacuuming with non-motorized brush sets.

\*\*\*Above data is originated from Mamibot Laboratory for reference only\*\*\*

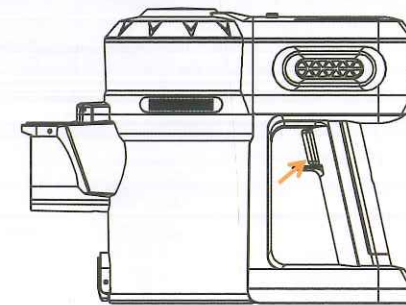
## 2. Operation

### 2.1 Switch on/off and vacuuming mode options

Press Switch once to turn on the Mamibot V6 and enter STANDARD Power Mode, press again to enter SUPER Power Mode.

When the device is running in Standard Mode, press once the Switch to change to Super Mode;

When in Super Mode, press the Switch to turn off your V6.

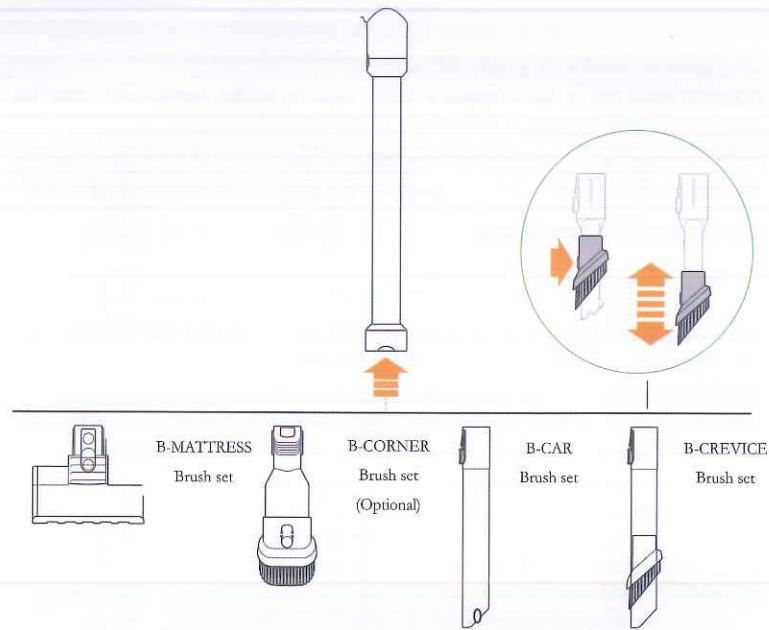


Switch/Power Mode Button

### 2.2 Introduction and Switching of other brush sets



Mamibot V6 has multiple brush sets, including the main motorized B-Beater brush sets, there are other brush sets for different purpose of vacuuming, include brush sets of B-Mattress, -Car, B-Crevice.



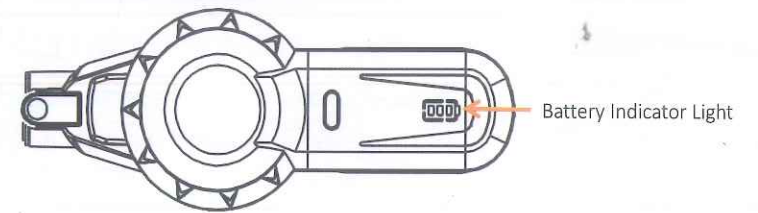
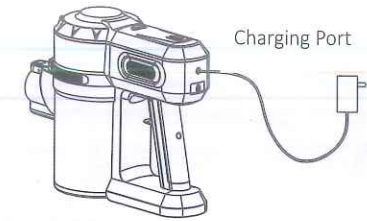
While the accessories provided for some models are slightly different, they are subject to the actual product.

### 2.3 Charging

After connecting the adapter with the power supply and device, the battery indicator light flashing from low to high means it is in charging. Battery is fully charged if all the indicator lights are illuminated without flashing.

Attention:

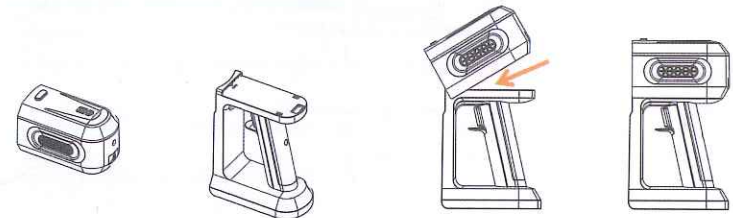
- 1) The battery level may be low when you use it for the first time. Please fully charge it.
- 2) When there is only one LED light working on the indicator light, please charge the battery.
- 3) The cleaner will be switched off automatically to protect the battery when battery level is too low, please charge battery fully before using.
- 4) The indicator light will be off automatically in minutes after battery is fully charged.
- 5) The cleaner can't be switched on in charging.



## 3. Maintenance

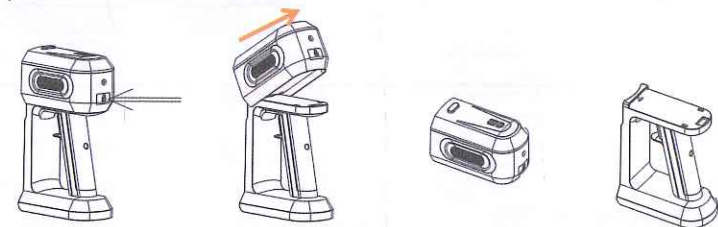
### 3.1 Battery pack installation

As below images show, install the battery pack on the handle properly until you hear CLICK sound



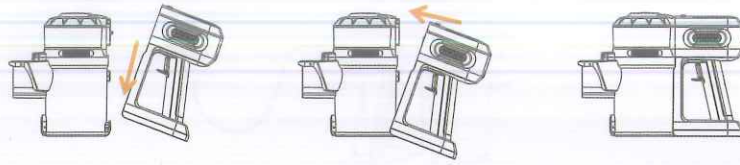
### 3.2 Disassemble battery pack

Press the Release Button of battery and handle as below images to disassemble the battery pack.



### 3.3 Handle installation

Put the handle on dust box hook and press them properly until you hear CLICK sound.



### 3.4 Disassemble handle

Press the Release Button of battery pack and dust box to disassemble the handle.

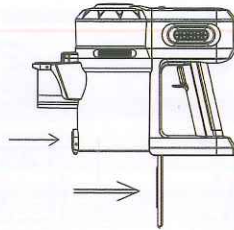


### 3.5 Empty dust box

Press the Release Button of dust box to empty it.

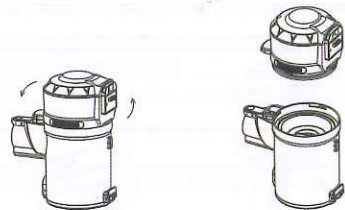
**Note:** Turn off the cleaner before emptying dust box.

**Please put the dust box on above of trash bin when empty the cleaner's dust box.**



### 3.6 Disassemble dust box

Rotate the motor set in anti-clockwise direction to disassemble the dust box.



### 3.7 Disassemble hepa filter

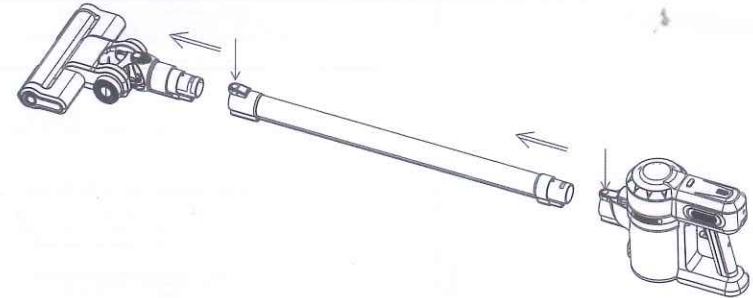
Rotate the Hepa filter in anti-clock wise direction to take it out and dusting debris inside the filter.

**Note:** If the stainless filter or hepa filter are rinsed in water, please don't use until thoroughly dry.



### 3.8 Disassemble aluminum tube

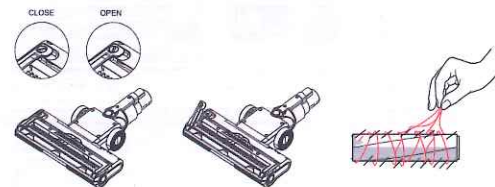
Press the Release Buttons of aluminum tube to take off tube from the brush set and cleaner head.



### 3.9 Disassemble and clean the motorized brush set

- 1) Turn off the cleaner and put motorized brush set up-side-down, use a coin to rotate the Release Button of B-Beater Brush set in anti-clock wise direction, take off the brush bar.
- 2) Clean dust, hair, fabric particles on the brush bar with your cleaning tool, cut hair with knife or scissor if the brush bar is tangled.
- 3) Please make sure the brush bar is dried thoroughly before second use.

**Note:** Please switch off your V6, take off the brush set from tube before cleaning, children are prohibited from cleaning it in case of personal injury.

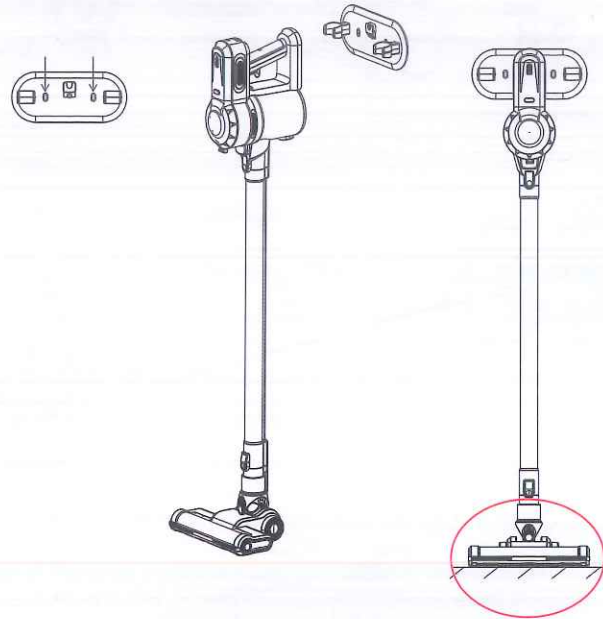


### 3.10 Cradle installation

It is suggested that the vacuum cleaner's brush set can touch floor surface in a proper position. Therefore, the cradle's position is recommended with the same height as the cleaners straight height from floor surface. Fix the cradle on the wall with provided screws and expansion pipes

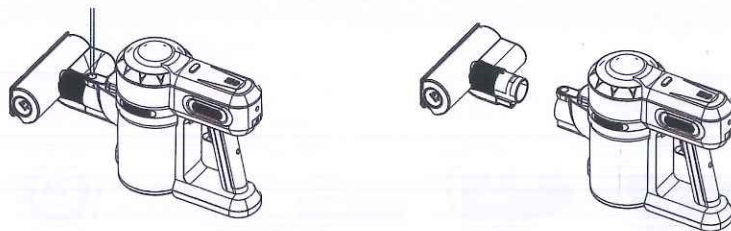
(Don't hang the cleaner in air without touching floor because it may cause damage)

Note: Ensure no pipe work (gas, water, air) or electrical cables, wires or ductwork are located directly behind the mounting area. The docking station must be mounted in accordance with regulations and applicable codes/standards (state and local laws may apply).



### 3.11 Disassemble B-Mattress brush set

Press Release Button of the tube to release the brush set, then take it off from the cleaner's head.



## 4. Parameters

Desc: Mamibot cordless stick vacuum cleaner

Model No.: V6

Rated Voltage(V): DC 22.2V

Rated Power(W): 100W

Battery Capacity(mAh): 2600mAh

Vacuum Power(kPa): ≤10kPa

Dust box Capacity(L): 0.6L

Charging time: About 4.5hrs

Noise Level (dB): ≤75dB

Working time (Standard/Super) :

Around 45min/25min

Charging Voltage: DC 27V

Charging Current: 0.5A

Dimension: 116\*25\*20cm

Materials: ABS、PC

The parameters come from the Mamibot Lab, there will slightly different with the actual product, please subject to the actual product.

Standards: GB4706.1-2005, GB4706.7-2014 GB4343.1-2009, GB17625.1-2012

EU directive 2011/65/EU, directive 2014/35/EU, directive 2014/30/EU

## 5. What's in the box

Description	Qty	Remarks
Main frame body	1pcs	
Motorized B-BEATER Brush Set	1pcs	
Motorized B-Mattress Brush Set	1pcs	
B-CAR Brush Set	1pcs	
B-CREVICE Brush Set	1pcs	
Aluminum Tube	1pcs	
Battery Pack	1pack	
Adapter	1pcs	AC 100-240V
Cradle	1set	Contains screws and expansion pipes
Dust Box Cleaning Tool	1pcs	For clearing dust box
User Manual	1pcs	

While the accessories provided for some models are slightly different, they are subject to the actual product.



## 6. Troubleshooting

If there is any failure of the V6 vacuum cleaner, please follow below solutions to check and solve the problems. If none of the solutions is workable, please contact Mamibot distributor or authorized agent for repairing and further solutions.

Failures	Possible Causes	Solutions
Failure of motorized brush bar	Brush bar is tangled by cable, hair or other trashes	Clean the brush bar
The first LED light flashes, vacuum motor doesn't work	Low battery	Charge the battery
The middle LED light flashes, vacuum motor doesn't work	Battery pack is over heated or over cooled	Move the cleaner to indoor location with regular temperature (0-35 °C) and cool it down to restart
Three LED lights flash, vacuum motor doesn't work	Cleaner in over-current protection	Check if the brush bar/aluminum tube are blocked, clear the blockage
Shorter running time	Aged battery pack	Replace the battery
	Over heated or over cooled battery	Cool down and restart
	Non-fully charged battery pack	Charge the battery
The middle LED light flashes, can't be charged	Over heated or over cooled battery	Keep the cleaner cooled down, restart for regular use thereafter
Weaker vacuuming power	Dust box overfilled	Empty dust box in time
	Stainless filter or hepa filter blocked	Clean the filters in time
	Non-dried filters after washing	Thoroughly dry filters after washing
	Air channel is blocked	Check air channel and take out blocked debris
No LED indicator or flashing when charging	Adapter is not plugged in properly	Check the adapter connection with both power supply and charging port, make sure they are in position
Battery leakage	Battery reaches life time or in no use for long time	Replace the battery



Mamibot Manufacturing (Shanghai) Co.,Ltd.

North 21th, No.1 Building, LN1040 Caoyang Rd, Shanghai, P.R.C.

Mamibot Manufacturing USA Inc.

Orange St. #600, Wilmington, New Castle, 19899, Delaware, USA

Tel: 001 302-428-9888 [sales@mamibot.com](mailto:sales@mamibot.com) [www.mamibot.com](http://www.mamibot.com)